



Client: DJM CADD & Coordination services

Project: DJM CAD OFFICE
395 Main Street, Schwenksville, Pa

Phone:

Rectangular Duct: Basement Level:

Rev-0:

Cut Type: Machine Cut

Material	Weight (lb)
Galvanized x 26	36.009
	36.009

Cut Type: Decoiled Straight

Material	Weight (lb)
Galvanized x 26	90.271
	90.271

Grand Totals:

Weight (lb)
126.279

Connector	Weight (lb)
S&D	7.992
	7.992

Airturns	Track Len (inch)
2IN Vane	8.064
	8.064

Client: DJM CADD & Coordination services

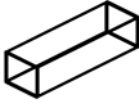
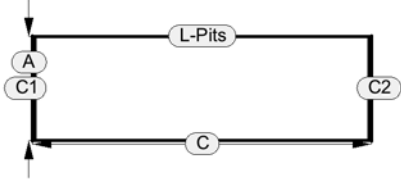
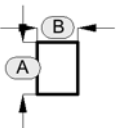
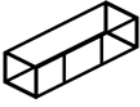
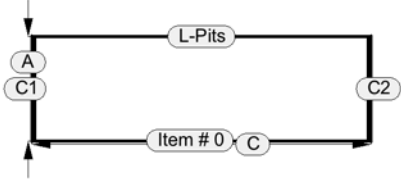
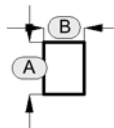

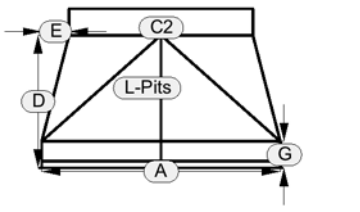
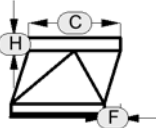
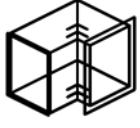
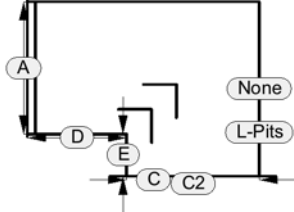
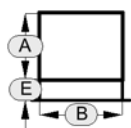
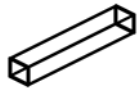
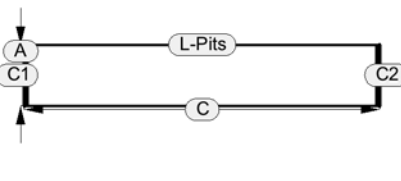
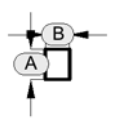
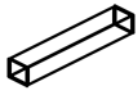
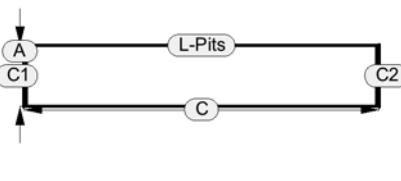
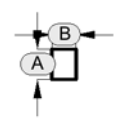


Project: DJM CAD OFFICE
395 Main Street, Schwenksville, Pa

Phone: Phone: (610) 287-1542:

Rectangular Duct: Basement Level:

Rev:0:

<p>Straight</p> <p>TAG: S1</p> <p>SA (2in wg)</p> <p>Con1: S&D Con2: S&D</p> <p>L-Pits L-Pits</p> <p>Galvanized x 26</p> <p>Airturns:</p> <p>Qty: 1 Double Wall: No</p> <p>Note: AHU</p>   	<p>Width 18.0</p> <p>Depth 14.0</p> <p>Length Auto</p>	<p>Straight</p> <p>TAG: S2</p> <p>SA (2in wg)</p> <p>Con1: S&D Con2: S&D</p> <p>L-Pits L-Pits</p> <p>Galvanized x 26</p> <p>Airturns:</p> <p>Qty: 1 Double Wall: No</p> <p>Note: AHU</p>   	<p>Width 18.0</p> <p>Depth 14.0</p> <p>Length Auto</p>
<p>Square-Round</p> <p>TAG: S3</p> <p>SA (2in wg)</p> <p>Con1: S&D Con2: SE</p> <p>L-Pits</p> <p>Galvanized x 26</p> <p>Airturns:</p> <p>Qty: 1 Double Wall: No</p> <p>Note: AHU</p>   	<p>Width 18.0</p> <p>Depth 14.0</p> <p>Diameter 14.0</p> <p>Length 10.0</p> <p>Offset Width Central</p> <p>Offset Depth -2.4</p> <p>Extension 2.0</p> <p>Collar 2.0</p> <p>Corner Radius 0.0</p> <p>Slope Angle 17.9</p>	<p>Square Elbow</p> <p>TAG: S16</p> <p>SA (2in wg)</p> <p>Con1: S&D Con2: 1in Flg Out</p> <p>L-Pits None</p> <p>Galvanized x 26</p> <p>Airturns: 2IN Vane</p> <p>Qty: 1 Double Wall: No</p> <p>Note: AHU</p>   	<p>Top Width 8.0</p> <p>Depth 10.0</p> <p>Btm Width Equal</p> <p>Top Extension 6.0</p> <p>Bottom Extensi... 2.5</p>
<p>Straight</p> <p>TAG: S17</p> <p>SA (2in wg)</p> <p>Con1: S&D Con2: S&D</p> <p>L-Pits L-Pits</p> <p>Galvanized x 26</p> <p>Airturns:</p> <p>Qty: 1 Double Wall: No</p> <p>Note: AHU</p>   	<p>Width 10.0</p> <p>Depth 8.0</p> <p>Length Auto</p>	<p>Straight</p> <p>TAG: S18</p> <p>SA (2in wg)</p> <p>Con1: S&D Con2: S&D</p> <p>L-Pits L-Pits</p> <p>Galvanized x 26</p> <p>Airturns:</p> <p>Qty: 1 Double Wall: No</p> <p>Note: AHU</p>   	<p>Width 10.0</p> <p>Depth 8.0</p> <p>Length Auto</p>

Client: DJM CADD & Coordination services


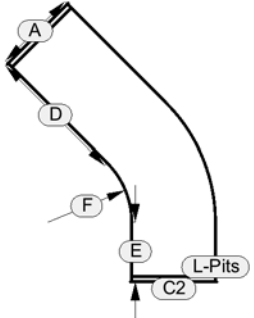
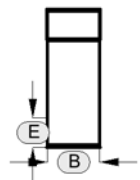
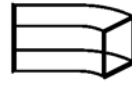
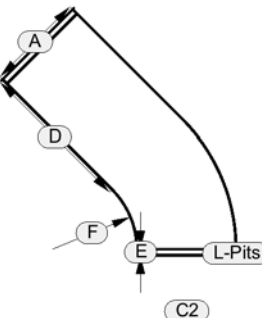
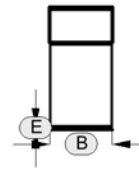
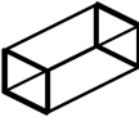
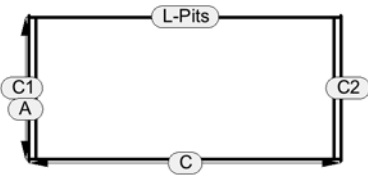
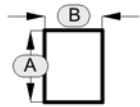

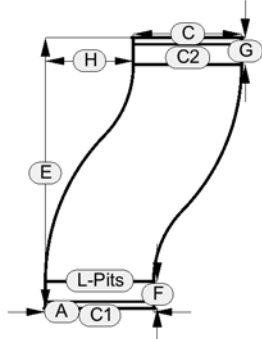
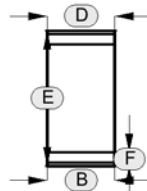
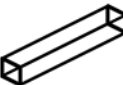
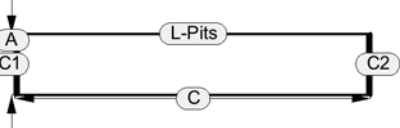
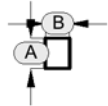

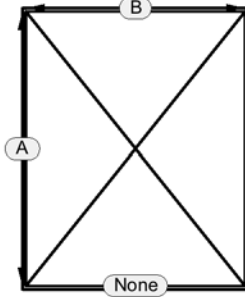
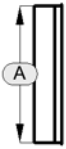


Project: DJM CAD OFFICE
395 Main Street, Schwenksville, Pa

Phone: Phone: (610) 287-1542:

Rectangular Duct: Basement Level:

Rev:0:

<p>45 Radius Elbow TAG: S19</p> <p>SA (2in wg)</p> <p>Con1: S&D Con2: S&D</p> <p>L-Pits</p> <p>Galvanized x 26</p> <p>Airturns:</p> <p>Qty: 1 Double Wall: No</p> <p>Note: AHU</p>   	<p>A Width 8.0</p> <p>B Depth 10.0</p> <p>C Angle 45.0</p> <p>D Top Extension 13.4</p> <p>E Bottom Extensi... 5.7</p> <p>F Inner Radius Width</p>	<p>45 Radius Elbow TAG: S20</p> <p>SA (2in wg)</p> <p>Con1: S&D Con2: S&D</p> <p>L-Pits</p> <p>Galvanized x 26</p> <p>Airturns:</p> <p>Qty: 1 Double Wall: No</p> <p>Note: AHU</p>   	<p>A Width 8.0</p> <p>B Depth 10.0</p> <p>C Angle 45.0</p> <p>D Top Extension 12.0</p> <p>E Bottom Extensi... 0.0</p> <p>F Inner Radius Width</p>
<p>Straight TAG: S21</p> <p>SA (2in wg)</p> <p>Con1: S&D Con2: S&D</p> <p>L-Pits L-Pits</p> <p>Galvanized x 26</p> <p>Airturns:</p> <p>Qty: 1 Double Wall: No</p> <p>Note: AHU</p>   	<p>A Width 10.0</p> <p>B Depth 8.0</p> <p>C Length 22.0</p>	<p>Radius 2 Way O... TAG: S22</p> <p>SA (2in wg)</p> <p>Con1: S&D Con2: S&D</p> <p>L-Pits</p> <p>Galvanized x 26</p> <p>Airturns:</p> <p>Qty: 1 Double Wall: No</p> <p>Note: AHU</p>   	<p>A Width In 8.0</p> <p>B Depth In 10.0</p> <p>C Width Out 8.0</p> <p>D Depth Out 10.0</p> <p>E Length 20.0</p> <p>F Extension In 2.0</p> <p>G Extension Out 2.0</p> <p>H Offset Width 6.5</p> <p>I Offset Depth 0.0</p> <p>J Left Radius Auto</p> <p>K Right Radius Auto</p>
<p>Straight TAG: S23</p> <p>SA (2in wg)</p> <p>Con1: S&D Con2: S&D</p> <p>L-Pits L-Pits</p> <p>Galvanized x 26</p> <p>Airturns:</p> <p>Qty: 1 Double Wall: No</p> <p>Note: AHU</p>   	<p>A Width 10.0</p> <p>B Depth 8.0</p> <p>C Length Auto</p>	<p>End Cap S&D TAG: S24</p> <p>SA (2in wg)</p> <p>Con1: S&D Con2:</p> <p>None</p> <p>Galvanized x 26</p> <p>Airturns:</p> <p>Qty: 1 Double Wall: No</p> <p>Note: AHU</p>   	<p>A Width 10.0</p> <p>B Depth 8.0</p> <p>C Turnover 2.0</p>



Client:
DJM CADD & Coordination services

Project:
DJM CAD OFFICE
395 Main Street, Schwenksville, Pa

Phone:

Round Duct: Basement Level:

Rev-0:

Fittings: Fittings

Double Wall	Description	Size-1	Size-2	Size-3	Angle	Material	Qty
No	90 Adjustable Elbow	6.000	Diameter	6.000	90.000	GALV	2
No	90 Adjustable Elbow	6.000	1.5 x Diameter	6.000	90.000	GALV	1
No	90 Adjustable Elbow	8.000	1.5 x Diameter	8.000	90.000	GALV	2
No	AIR-TITE WITH VD	Calc	6.000		90.000	GALV	2
No	End Cap	14.000	2.000		0.000	GALV	1
No	Round Coupling Pipe	14.000	1.500		0.000	GALV	3
							11

Duct: Duct

Double Wall	Description	Size	Material	Qty
No	Snap Lock Pipe	6.000	GALV	29'-10" (ft)
No	Snap Lock Pipe	8.000	GALV	10'-6" (ft)
No	Spiral Pipe	14.000	GALV	29'-0" (ft)
				69'-4"

Fittings: Fittings

Double Wall	Description	Pipe Diameter	Rectangular End Size	Material	Qty
No	Rect on Round	14.000	30.000x8.000	GALV	4
					4


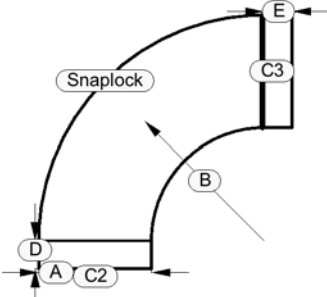


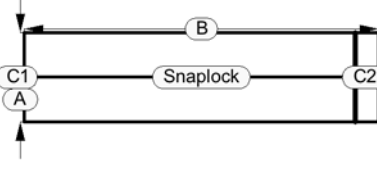


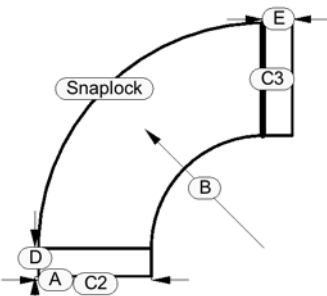


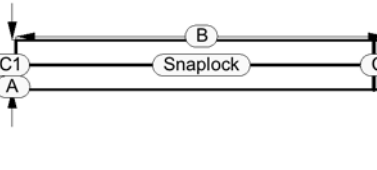


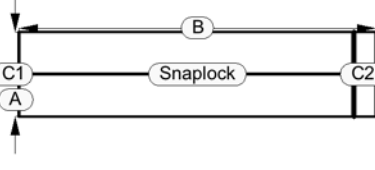


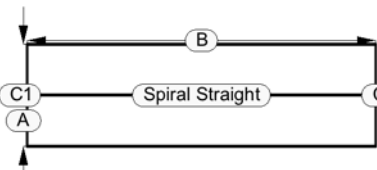

Client: DJM CADD & Coordination services

Project: DJM CAD OFFICE
 395 Main Street, Schwenksville, Pa

Phone:

Round Duct: Basement Level:

Rev-0:

<p>90 Adjustable E... </p> <p>90 Adjustable Elbow TAG: R1 RA (2in wg) Con1: None Con2: Raw Snaplock Galvanized x 26 Airturns: Double Wall: No</p> <p>Qty: 1 Note: AHU</p> 	<p>A Diameter 8.0 B Centre Radius 1.5 x Dia... C Angle 90.0 D Bottom Extensi... 2.0 E Top Extension Auto</p> 	<p>Snap Lock Pipe </p> <p>Snap Lock Pipe TAG: R2 RA (2in wg) Con1: Raw Con2: Bead & Cr... Snaplock Galvanized x 26 Airturns: Double Wall: No</p> <p>Qty: 1 Note: AHU</p> 	<p>A Diameter 8.0 B Length 32.0 C Left Extension 0.0 D Right Extension 0.0</p> 
<p>90 Adjustable E... </p> <p>90 Adjustable Elbow TAG: R3 RA (2in wg) Con1: None Con2: Raw Snaplock Galvanized x 26 Airturns: Double Wall: No</p> <p>Qty: 1 Note: AHU</p> 	<p>A Diameter 8.0 B Centre Radius 1.5 x Dia... C Angle 90.0 D Bottom Extensi... 2.0 E Top Extension Auto</p> 	<p>Snap Lock Pipe </p> <p>Snap Lock Pipe TAG: R4 RA (2in wg) Con1: Raw Con2: Bead & Cr... Snaplock Galvanized x 26 Airturns: Double Wall: No</p> <p>Qty: 1 Note: AHU</p> 	<p>A Diameter 8.0 B Length 60.0 C Left Extension 0.0 D Right Extension 0.0</p> 
<p>Snap Lock Pipe </p> <p>Snap Lock Pipe TAG: R5 RA (2in wg) Con1: Raw Con2: Bead & Cr... Snaplock Galvanized x 26 Airturns: Double Wall: No</p> <p>Qty: 1 Note: AHU</p> 	<p>A Diameter 8.0 B Length 34.0 C Left Extension 0.0 D Right Extension 0.0</p> 	<p>Spiral Pipe </p> <p>Spiral Pipe TAG: S4 SA (2in wg) Con1: Raw Con2: Raw Spiral Straight Galvanized x 26 Airturns: Double Wall: No</p> <p>Qty: 1 Note: AHU</p> 	<p>A Diameter 14.0 B Length 48.0 C Left Extension Auto D Right Extension Auto</p> 


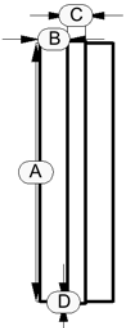
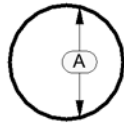

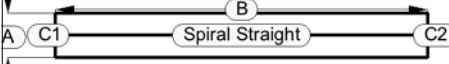


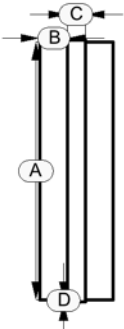
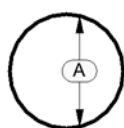

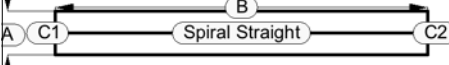


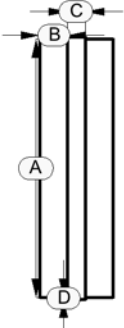
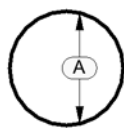

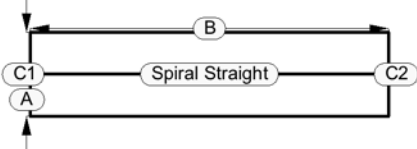

Client: DJM CADD & Coordination services

Project: DJM CAD OFFICE
 395 Main Street, Schwenksville, Pa

Phone:

Round Duct: Basement Level:

Rev-0:

<p>Round Couplin... Round Coupling Pipe TAG: S5 SA (2in wg) Con1: Coupling... Con2: Coupling ... Spiral Fitting Galvanized x 26 Airturns: Qty: 1 Double Wall: No Note: AHU</p>  	<p>A Diameter 14.0 B Collar 1.5 C Length 1.0 D Offset 0.2 E Oval Depth Round</p> 	<p>Spiral Pipe Spiral Pipe TAG: S6 SA (2in wg) Con1: Raw Con2: Raw Spiral Straight Galvanized x 26 Airturns: Qty: 1 Double Wall: No Note: AHU</p>  	<p>A Diameter 14.0 B Length Auto C Left Extension Auto D Right Extension Auto</p> 
<p>Round Couplin... Round Coupling Pipe TAG: S7 SA (2in wg) Con1: Coupling... Con2: Coupling ... Spiral Fitting Galvanized x 26 Airturns: Qty: 1 Double Wall: No Note: AHU</p>  	<p>A Diameter 14.0 B Collar 1.5 C Length 1.0 D Offset 0.2 E Oval Depth Round</p> 	<p>Spiral Pipe Spiral Pipe TAG: S8 SA (2in wg) Con1: Raw Con2: Raw Spiral Straight Galvanized x 26 Airturns: Qty: 1 Double Wall: No Note: AHU</p>  	<p>A Diameter 14.0 B Length Auto C Left Extension Auto D Right Extension Auto</p> 
<p>Round Couplin... Round Coupling Pipe TAG: S9 SA (2in wg) Con1: Coupling... Con2: Coupling ... Spiral Fitting Galvanized x 26 Airturns: Qty: 1 Double Wall: No Note: AHU</p>  	<p>A Diameter 14.0 B Collar 1.5 C Length 1.0 D Offset 0.2 E Oval Depth Round</p> 	<p>Spiral Pipe Spiral Pipe TAG: S10 SA (2in wg) Con1: Raw Con2: Raw Spiral Straight Galvanized x 26 Airturns: Qty: 1 Double Wall: No Note: AHU</p>  	<p>A Diameter 14.0 B Length 60.0 C Left Extension Auto D Right Extension Auto</p> 


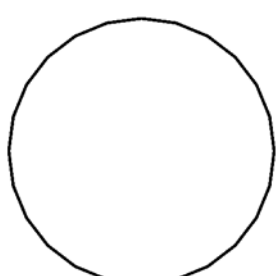

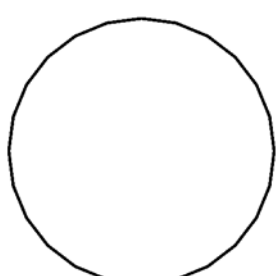
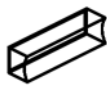
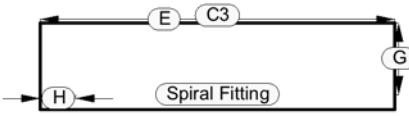
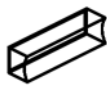
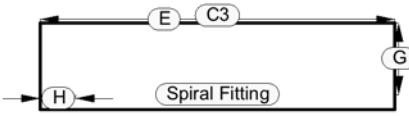

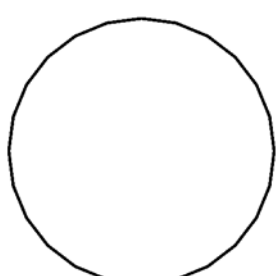
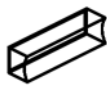
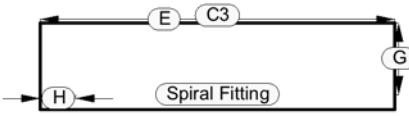

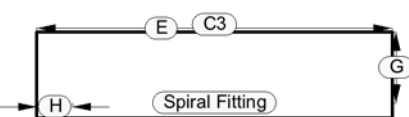

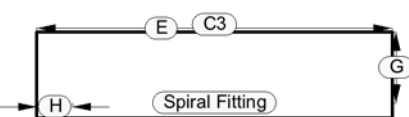
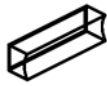
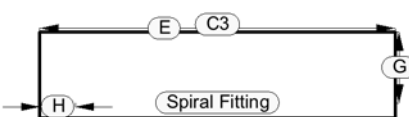
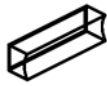
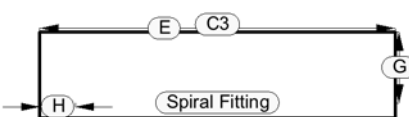

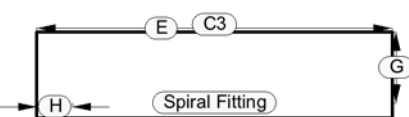
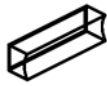
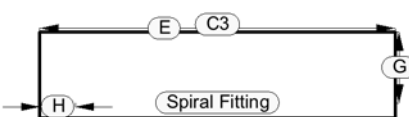

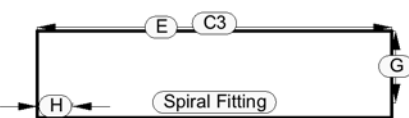

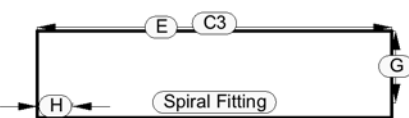

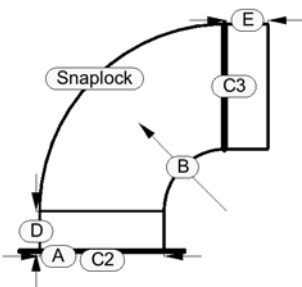

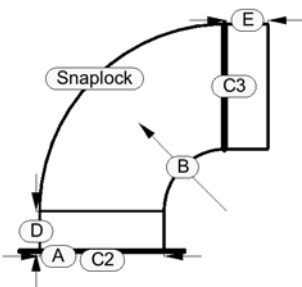

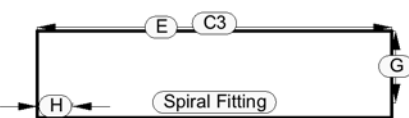

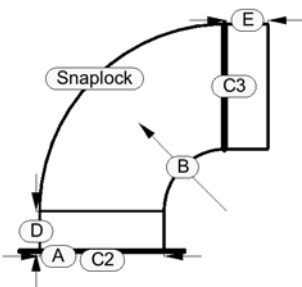
Client: DJM CADD & Coordination services

Project: DJM CAD OFFICE
 395 Main Street, Schwenksville, Pa

Phone:

Round Duct: Basement Level:

Rev-0:

<table border="1"> <tr> <td rowspan="5"></td> <td>End Cap</td> <td>End Cap</td> </tr> <tr> <td></td> <td>TAG: S11</td> </tr> <tr> <td></td> <td>SA (2in wg)</td> </tr> <tr> <td></td> <td>Con1: Raw Con2:</td> </tr> <tr> <td></td> <td>Galvanized x 26</td> </tr> <tr> <td></td> <td>Airturns:</td> <td></td> </tr> <tr> <td></td> <td>Qty: 1</td> <td>Double Wall: No</td> </tr> <tr> <td colspan="3">Note: AHU</td> </tr> <tr> <td colspan="3"></td> </tr> </table>		End Cap	End Cap		TAG: S11		SA (2in wg)		Con1: Raw Con2:		Galvanized x 26		Airturns:			Qty: 1	Double Wall: No	Note: AHU						<table border="1"> <tr> <td>A</td> <td>Diameter</td> <td>14.0</td> </tr> <tr> <td>B</td> <td>Collar</td> <td>2.0</td> </tr> </table>	A	Diameter	14.0	B	Collar	2.0	<table border="1"> <tr> <td rowspan="5"></td> <td>Rect on Round</td> <td>Rect on Round</td> </tr> <tr> <td></td> <td>TAG: S12</td> </tr> <tr> <td></td> <td>SA (2in wg)</td> </tr> <tr> <td></td> <td>Con1: Con2:</td> </tr> <tr> <td></td> <td>Spiral Fitting Spiral Fitting</td> </tr> <tr> <td></td> <td>Galvanized x 22</td> <td></td> </tr> <tr> <td></td> <td>Airturns:</td> <td></td> </tr> <tr> <td></td> <td>Qty: 1</td> <td>Double Wall: No</td> </tr> <tr> <td colspan="3">Note: AHU</td> </tr> <tr> <td colspan="3"></td> </tr> </table>		Rect on Round	Rect on Round		TAG: S12		SA (2in wg)		Con1: Con2:		Spiral Fitting Spiral Fitting		Galvanized x 22			Airturns:			Qty: 1	Double Wall: No	Note: AHU						<table border="1"> <tr> <td>A</td> <td>Pipe Diameter</td> <td>14.0</td> </tr> <tr> <td>B</td> <td>Pipe Length</td> <td>24.0</td> </tr> <tr> <td>C</td> <td>Left Extension</td> <td>Auto</td> </tr> <tr> <td>D</td> <td>Right Extension</td> <td>Auto</td> </tr> <tr> <td>E</td> <td>Branch Width</td> <td>30.0</td> </tr> <tr> <td>F</td> <td>Branch Depth</td> <td>8.0</td> </tr> <tr> <td>G</td> <td>Branch Length</td> <td>6.0</td> </tr> <tr> <td>H</td> <td>Inset</td> <td>Central</td> </tr> <tr> <td>I</td> <td>Extension</td> <td>0.0</td> </tr> </table>	A	Pipe Diameter	14.0	B	Pipe Length	24.0	C	Left Extension	Auto	D	Right Extension	Auto	E	Branch Width	30.0	F	Branch Depth	8.0	G	Branch Length	6.0	H	Inset	Central	I	Extension	0.0																								
		End Cap	End Cap																																																																																																										
			TAG: S11																																																																																																										
			SA (2in wg)																																																																																																										
			Con1: Raw Con2:																																																																																																										
		Galvanized x 26																																																																																																											
	Airturns:																																																																																																												
	Qty: 1	Double Wall: No																																																																																																											
Note: AHU																																																																																																													
																																																																																																													
A	Diameter	14.0																																																																																																											
B	Collar	2.0																																																																																																											
	Rect on Round	Rect on Round																																																																																																											
		TAG: S12																																																																																																											
		SA (2in wg)																																																																																																											
		Con1: Con2:																																																																																																											
		Spiral Fitting Spiral Fitting																																																																																																											
	Galvanized x 22																																																																																																												
	Airturns:																																																																																																												
	Qty: 1	Double Wall: No																																																																																																											
Note: AHU																																																																																																													
																																																																																																													
A	Pipe Diameter	14.0																																																																																																											
B	Pipe Length	24.0																																																																																																											
C	Left Extension	Auto																																																																																																											
D	Right Extension	Auto																																																																																																											
E	Branch Width	30.0																																																																																																											
F	Branch Depth	8.0																																																																																																											
G	Branch Length	6.0																																																																																																											
H	Inset	Central																																																																																																											
I	Extension	0.0																																																																																																											
<table border="1"> <tr> <td rowspan="5"></td> <td>Rect on Round</td> <td>Rect on Round</td> </tr> <tr> <td></td> <td>TAG: S13</td> </tr> <tr> <td></td> <td>SA (2in wg)</td> </tr> <tr> <td></td> <td>Con1: Con2:</td> </tr> <tr> <td></td> <td>Spiral Fitting Spiral Fitting</td> </tr> <tr> <td></td> <td>Galvanized x 22</td> <td></td> </tr> <tr> <td></td> <td>Airturns:</td> <td></td> </tr> <tr> <td></td> <td>Qty: 1</td> <td>Double Wall: No</td> </tr> <tr> <td colspan="3">Note: AHU</td> </tr> <tr> <td colspan="3"></td> </tr> </table>		Rect on Round	Rect on Round		TAG: S13		SA (2in wg)		Con1: Con2:		Spiral Fitting Spiral Fitting		Galvanized x 22			Airturns:			Qty: 1	Double Wall: No	Note: AHU						<table border="1"> <tr> <td>A</td> <td>Pipe Diameter</td> <td>14.0</td> </tr> <tr> <td>B</td> <td>Pipe Length</td> <td>24.0</td> </tr> <tr> <td>C</td> <td>Left Extension</td> <td>Auto</td> </tr> <tr> <td>D</td> <td>Right Extension</td> <td>Auto</td> </tr> <tr> <td>E</td> <td>Branch Width</td> <td>30.0</td> </tr> <tr> <td>F</td> <td>Branch Depth</td> <td>8.0</td> </tr> <tr> <td>G</td> <td>Branch Length</td> <td>6.0</td> </tr> <tr> <td>H</td> <td>Inset</td> <td>Central</td> </tr> <tr> <td>I</td> <td>Extension</td> <td>0.0</td> </tr> </table>	A	Pipe Diameter	14.0	B	Pipe Length	24.0	C	Left Extension	Auto	D	Right Extension	Auto	E	Branch Width	30.0	F	Branch Depth	8.0	G	Branch Length	6.0	H	Inset	Central	I	Extension	0.0	<table border="1"> <tr> <td rowspan="5"></td> <td>Rect on Round</td> <td>Rect on Round</td> </tr> <tr> <td></td> <td>TAG: S14</td> </tr> <tr> <td></td> <td>SA (2in wg)</td> </tr> <tr> <td></td> <td>Con1: Con2:</td> </tr> <tr> <td></td> <td>Spiral Fitting Spiral Fitting</td> </tr> <tr> <td></td> <td>Galvanized x 22</td> <td></td> </tr> <tr> <td></td> <td>Airturns:</td> <td></td> </tr> <tr> <td></td> <td>Qty: 1</td> <td>Double Wall: No</td> </tr> <tr> <td colspan="3">Note: AHU</td> </tr> <tr> <td colspan="3"></td> </tr> </table>		Rect on Round	Rect on Round		TAG: S14		SA (2in wg)		Con1: Con2:		Spiral Fitting Spiral Fitting		Galvanized x 22			Airturns:			Qty: 1	Double Wall: No	Note: AHU						<table border="1"> <tr> <td>A</td> <td>Pipe Diameter</td> <td>14.0</td> </tr> <tr> <td>B</td> <td>Pipe Length</td> <td>24.0</td> </tr> <tr> <td>C</td> <td>Left Extension</td> <td>Auto</td> </tr> <tr> <td>D</td> <td>Right Extension</td> <td>Auto</td> </tr> <tr> <td>E</td> <td>Branch Width</td> <td>30.0</td> </tr> <tr> <td>F</td> <td>Branch Depth</td> <td>8.0</td> </tr> <tr> <td>G</td> <td>Branch Length</td> <td>6.0</td> </tr> <tr> <td>H</td> <td>Inset</td> <td>Central</td> </tr> <tr> <td>I</td> <td>Extension</td> <td>0.0</td> </tr> </table>	A	Pipe Diameter	14.0	B	Pipe Length	24.0	C	Left Extension	Auto	D	Right Extension	Auto	E	Branch Width	30.0	F	Branch Depth	8.0	G	Branch Length	6.0	H	Inset	Central	I	Extension	0.0
		Rect on Round	Rect on Round																																																																																																										
			TAG: S13																																																																																																										
			SA (2in wg)																																																																																																										
			Con1: Con2:																																																																																																										
		Spiral Fitting Spiral Fitting																																																																																																											
	Galvanized x 22																																																																																																												
	Airturns:																																																																																																												
	Qty: 1	Double Wall: No																																																																																																											
Note: AHU																																																																																																													
																																																																																																													
A	Pipe Diameter	14.0																																																																																																											
B	Pipe Length	24.0																																																																																																											
C	Left Extension	Auto																																																																																																											
D	Right Extension	Auto																																																																																																											
E	Branch Width	30.0																																																																																																											
F	Branch Depth	8.0																																																																																																											
G	Branch Length	6.0																																																																																																											
H	Inset	Central																																																																																																											
I	Extension	0.0																																																																																																											
	Rect on Round	Rect on Round																																																																																																											
		TAG: S14																																																																																																											
		SA (2in wg)																																																																																																											
		Con1: Con2:																																																																																																											
		Spiral Fitting Spiral Fitting																																																																																																											
	Galvanized x 22																																																																																																												
	Airturns:																																																																																																												
	Qty: 1	Double Wall: No																																																																																																											
Note: AHU																																																																																																													
																																																																																																													
A	Pipe Diameter	14.0																																																																																																											
B	Pipe Length	24.0																																																																																																											
C	Left Extension	Auto																																																																																																											
D	Right Extension	Auto																																																																																																											
E	Branch Width	30.0																																																																																																											
F	Branch Depth	8.0																																																																																																											
G	Branch Length	6.0																																																																																																											
H	Inset	Central																																																																																																											
I	Extension	0.0																																																																																																											
<table border="1"> <tr> <td rowspan="5"></td> <td>Rect on Round</td> <td>Rect on Round</td> </tr> <tr> <td></td> <td>TAG: S15</td> </tr> <tr> <td></td> <td>SA (2in wg)</td> </tr> <tr> <td></td> <td>Con1: Con2:</td> </tr> <tr> <td></td> <td>Spiral Fitting Spiral Fitting</td> </tr> <tr> <td></td> <td>Galvanized x 22</td> <td></td> </tr> <tr> <td></td> <td>Airturns:</td> <td></td> </tr> <tr> <td></td> <td>Qty: 1</td> <td>Double Wall: No</td> </tr> <tr> <td colspan="3">Note: AHU</td> </tr> <tr> <td colspan="3"></td> </tr> </table>		Rect on Round	Rect on Round		TAG: S15		SA (2in wg)		Con1: Con2:		Spiral Fitting Spiral Fitting		Galvanized x 22			Airturns:			Qty: 1	Double Wall: No	Note: AHU						<table border="1"> <tr> <td>A</td> <td>Pipe Diameter</td> <td>14.0</td> </tr> <tr> <td>B</td> <td>Pipe Length</td> <td>24.0</td> </tr> <tr> <td>C</td> <td>Left Extension</td> <td>Auto</td> </tr> <tr> <td>D</td> <td>Right Extension</td> <td>Auto</td> </tr> <tr> <td>E</td> <td>Branch Width</td> <td>30.0</td> </tr> <tr> <td>F</td> <td>Branch Depth</td> <td>8.0</td> </tr> <tr> <td>G</td> <td>Branch Length</td> <td>6.0</td> </tr> <tr> <td>H</td> <td>Inset</td> <td>Central</td> </tr> <tr> <td>I</td> <td>Extension</td> <td>0.0</td> </tr> </table>	A	Pipe Diameter	14.0	B	Pipe Length	24.0	C	Left Extension	Auto	D	Right Extension	Auto	E	Branch Width	30.0	F	Branch Depth	8.0	G	Branch Length	6.0	H	Inset	Central	I	Extension	0.0	<table border="1"> <tr> <td rowspan="5"></td> <td>90 Adjustable E...</td> <td>90 Adjustable Elbow</td> </tr> <tr> <td></td> <td>TAG: S25</td> </tr> <tr> <td></td> <td>SA (2in wg)</td> </tr> <tr> <td></td> <td>Con1: None Con2: 1 FLANGE ...</td> </tr> <tr> <td></td> <td>Snaplock</td> </tr> <tr> <td></td> <td>Galvanized x 26</td> <td></td> </tr> <tr> <td></td> <td>Airturns:</td> <td></td> </tr> <tr> <td></td> <td>Qty: 1</td> <td>Double Wall: No</td> </tr> <tr> <td colspan="3">Note: AHU</td> </tr> <tr> <td colspan="3"></td> </tr> </table>		90 Adjustable E...	90 Adjustable Elbow		TAG: S25		SA (2in wg)		Con1: None Con2: 1 FLANGE ...		Snaplock		Galvanized x 26			Airturns:			Qty: 1	Double Wall: No	Note: AHU						<table border="1"> <tr> <td>A</td> <td>Diameter</td> <td>6.0</td> </tr> <tr> <td>B</td> <td>Centre Radius</td> <td>Diameter</td> </tr> <tr> <td>C</td> <td>Angle</td> <td>90.0</td> </tr> <tr> <td>D</td> <td>Bottom Extensi...</td> <td>2.0</td> </tr> <tr> <td>E</td> <td>Top Extension</td> <td>Auto</td> </tr> </table>	A	Diameter	6.0	B	Centre Radius	Diameter	C	Angle	90.0	D	Bottom Extensi...	2.0	E	Top Extension	Auto												
		Rect on Round	Rect on Round																																																																																																										
			TAG: S15																																																																																																										
			SA (2in wg)																																																																																																										
			Con1: Con2:																																																																																																										
		Spiral Fitting Spiral Fitting																																																																																																											
	Galvanized x 22																																																																																																												
	Airturns:																																																																																																												
	Qty: 1	Double Wall: No																																																																																																											
Note: AHU																																																																																																													
																																																																																																													
A	Pipe Diameter	14.0																																																																																																											
B	Pipe Length	24.0																																																																																																											
C	Left Extension	Auto																																																																																																											
D	Right Extension	Auto																																																																																																											
E	Branch Width	30.0																																																																																																											
F	Branch Depth	8.0																																																																																																											
G	Branch Length	6.0																																																																																																											
H	Inset	Central																																																																																																											
I	Extension	0.0																																																																																																											
	90 Adjustable E...	90 Adjustable Elbow																																																																																																											
		TAG: S25																																																																																																											
		SA (2in wg)																																																																																																											
		Con1: None Con2: 1 FLANGE ...																																																																																																											
		Snaplock																																																																																																											
	Galvanized x 26																																																																																																												
	Airturns:																																																																																																												
	Qty: 1	Double Wall: No																																																																																																											
Note: AHU																																																																																																													
																																																																																																													
A	Diameter	6.0																																																																																																											
B	Centre Radius	Diameter																																																																																																											
C	Angle	90.0																																																																																																											
D	Bottom Extensi...	2.0																																																																																																											
E	Top Extension	Auto																																																																																																											


Client: DJM CADD & Coordination services

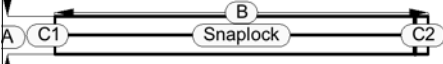

Project: DJM CAD OFFICE
 395 Main Street, Schwenksville, Pa


Phone:

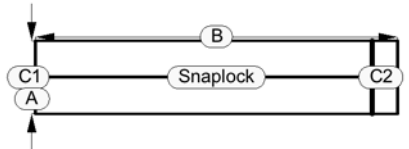

Round Duct: Basement Level:


Rev-0:

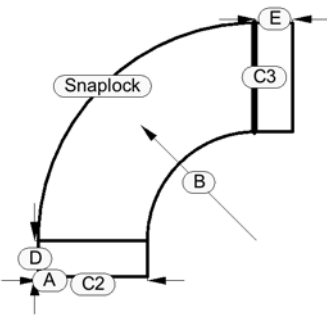

	Snap Lock Pipe	A	Diameter	6.0
	TAG: S26	B	Length	60.0
	SA (2in wg)	C	Left Extension	0.0
	Con1: Raw	D	Right Extension	0.0
	Con2: Bead & Cr...			
	Snaplock			
	Galvanized x 26			
	Airturns:			
Qty: 1	Double Wall: No			
Note: AHU				





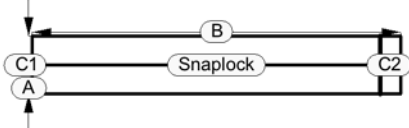

	Snap Lock Pipe	A	Diameter	6.0
	TAG: S27	B	Length	30.0
	SA (2in wg)	C	Left Extension	0.0
	Con1: Raw	D	Right Extension	0.0
	Con2: Bead & Cr...			
	Snaplock			
	Galvanized x 26			
	Airturns:			
Qty: 1	Double Wall: No			
Note: AHU				





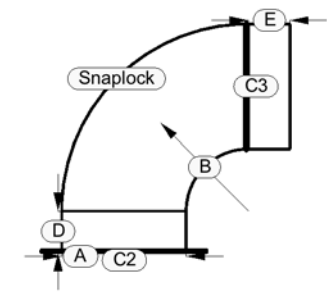
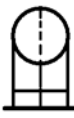
	90 Adjustable Elbow	A	Diameter	6.0
	TAG: S28	B	Centre Radius	1.5 x Dia...
	SA (2in wg)	C	Angle	90.0
	Con1: None	D	Bottom Extensi...	2.0
	Con2: Raw	E	Top Extension	Auto
	Snaplock			
	Galvanized x 26			
	Airturns:			
Qty: 1	Double Wall: No			
Note: AHU				







	Snap Lock Pipe	A	Diameter	6.0
	TAG: S29	B	Length	38.0
	SA (2in wg)	C	Left Extension	0.0
	Con1: Raw	D	Right Extension	0.0
	Con2: Bead & Cr...			
	Snaplock			
	Galvanized x 26			
	Airturns:			
Qty: 1	Double Wall: No			
Note: AHU				

	90 Adjustable Elbow	A	Diameter	6.0
	TAG: S30	B	Centre Radius	Diameter
	SA (2in wg)	C	Angle	90.0
	Con1: None	D	Bottom Extensi...	2.0
	Con2: 1 FLANGE ...	E	Top Extension	Auto
	Snaplock			
	Galvanized x 26			
	Airturns:			
Qty: 1	Double Wall: No			
Note: AHU				

	Snap Lock Pipe	A	Diameter	6.0
	TAG: S31	B	Length	60.0
	SA (2in wg)	C	Left Extension	0.0
	Con1: Raw	D	Right Extension	0.0
	Con2: Bead & Cr...			
	Snaplock			
	Galvanized x 26			
	Airturns:			
Qty: 1	Double Wall: No			
Note: AHU				


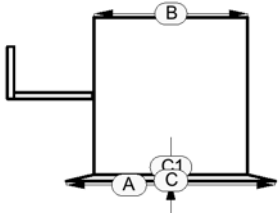
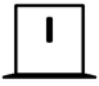

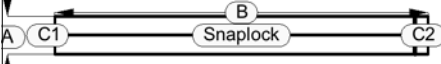


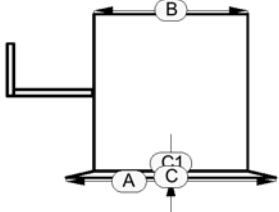
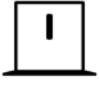

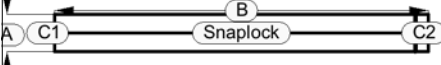


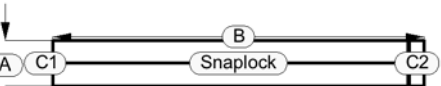

Client: DJM CADD & Coordination services

Project: DJM CAD OFFICE
 395 Main Street, Schwenksville, Pa

Phone:

Round Duct: Basement Level:

Rev-0:

<p>AIR-TITE WITH ...</p>  <p> AIR-TITE WITH VD TAG: S32 SA (2in wg) Con1: SE Con2: STITCH WELD STITCH WELD Galvanized x 26 Airturns: Double Wall: No Qty: 1 Note: AHU </p> 	<p> A Hole Diameter 8.0 B Branch Diameter 6.0 C Length 0.3 D Angle 90.0 E Plate Width 0.0 F Plate Depth 0.0 G Offset Width 0.0 H Offset Depth 0.0 I Collar 6.0 J Bottom Width 8.0 </p> 	<p>Snap Lock Pipe</p>  <p> Snap Lock Pipe TAG: S33 SA (2in wg) Con1: Raw Con2: Bead & Cr... Snaplock Galvanized x 26 Airturns: Double Wall: No Qty: 1 Note: AHU </p> 	<p> A Diameter 6.0 B Length 60.0 C Left Extension 0.0 D Right Extension 0.0 </p> 
<p>AIR-TITE WITH ...</p>  <p> AIR-TITE WITH VD TAG: S34 SA (2in wg) Con1: SE Con2: STITCH WELD STITCH WELD Galvanized x 26 Airturns: Double Wall: No Qty: 1 Note: AHU </p> 	<p> A Hole Diameter 8.0 B Branch Diameter 6.0 C Length 0.3 D Angle 90.0 E Plate Width 0.0 F Plate Depth 0.0 G Offset Width 0.0 H Offset Depth 0.0 I Collar 6.0 J Bottom Width 8.0 </p> 	<p>Snap Lock Pipe</p>  <p> Snap Lock Pipe TAG: S35 SA (2in wg) Con1: Raw Con2: Bead & Cr... Snaplock Galvanized x 26 Airturns: Double Wall: No Qty: 1 Note: AHU </p> 	<p> A Diameter 6.0 B Length 60.0 C Left Extension 0.0 D Right Extension 0.0 </p> 
<p>Snap Lock Pipe</p>  <p> Snap Lock Pipe TAG: S36 SA (2in wg) Con1: Raw Con2: Bead & Cr... Snaplock Galvanized x 26 Airturns: Double Wall: No Qty: 1 Note: AHU </p> 	<p> A Diameter 6.0 B Length 50.0 C Left Extension 0.0 D Right Extension 0.0 </p> 		



Client: DJM CADD & Coordination services

Project: DJM CAD OFFICE
395 Main Street, Schwenksville, Pa

Phone:

Rectangular Motorized Damper List: Basement level:

Rev-0:

Item No	Size (inch)	Qty
S17.A	10.00x8.00	1
		1



Client: DJM CADD & Coordination services

Project: DJM CAD OFFICE
395 Main Street, Schwenksville, Pa

Phone:

Round Motorizes Damper: Basement Level:

Rev-0:

Item No	Dia (inch)	Qty
S4.A	14	1
		1



Client: DJM CADD & Coordination services

Project: DJM CAD OFFICE
395 Main Street, Schwenksville, Pa

Phone:

Round Single Blade Damper: Basement Level:

Rev-0:

Item No	Dia (inch)	Qty
S26.A	6	1
S31.A	6	1
		2